

RELY ON EXCELLENCE

AX05

Mechanical seals | Mechanical seals for pumps | Elastomer bellows seals



Features

- Unbalanced
- Independent on direction of rotation

Advantages

- Stationary springs
- Low space requirements
- Frictionally torque transmission
- Springs protected from the product
- Simple mounting

Operating range

Shaft diameter: $d_1 = \dots 65 \text{ mm (2.56")}$

Pressure: $p_1 = 0.3 \text{ bar (4.35 PSI)}$

Temperature:

$t = -20 \text{ °C } \dots 100 \text{ °C (-4 °F } \dots 212 \text{ °F)}$

Sliding velocity: $v_g = 10 \text{ m/s (33 ft/s)}$

Materials

Seal face: Carbon graphite resin impregnated (B)

Secondary seals: NBR (P)

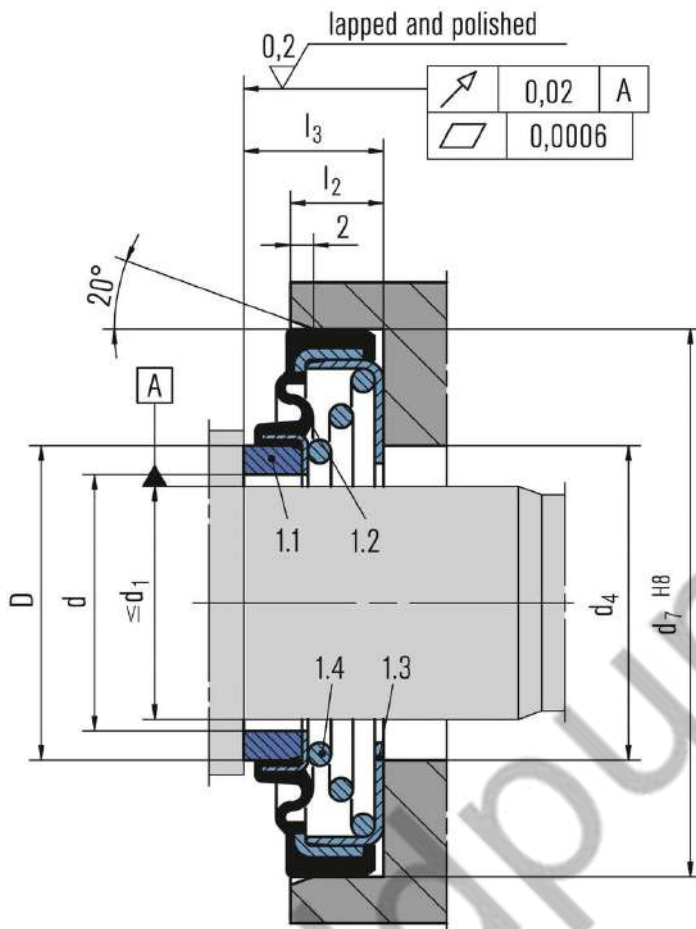
Springs: CrNi steel (F)

Metal parts: CrNi steel (F)

Recommended applications

- Process industry
- Oil and gas industry
- Refining technology
- Petrochemical industry
- Chemical industry
- Pharmaceutical industry
- Power plant technology
- Pulp and paper industry
- Water and waste water technology
- Mining industry
- Building services industry
- Food and beverage industry
- Shipbuilding
- Sugar industry
- Metal production and processing

RELY ON EXCELLENCE

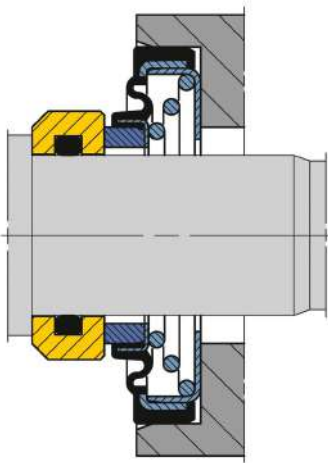


Item Description

- 1 Seal unit
- 1.1 Seal ring
- 1.2 Bellows
- 1.3 Profiled sheet
- 1.4 Spring

RELY ON EXCELLENCE

Installation, details, options



Mating ring variant with O-Ring.

Dimensions

d1	Type	d	D	L3	d7	d4	L2
20	AX05-022	22	27	18	42	28	12
25	AX05-027	27	32	12	52	32	8
30	AX05-032	32	37	12	57	37	8
35	AX05-037	37	42	12	62	42	8
40	AX05-042	42	47.5	12	68	47	10
45	AX05-047	47	53	13	75	52	10
50	AX05-052	52	58	13	80	57	10
55	AX05-057	57	65	14	90	62	12
65	AX05-067	67	75	16	100	72	10

Dimensions in millimeter