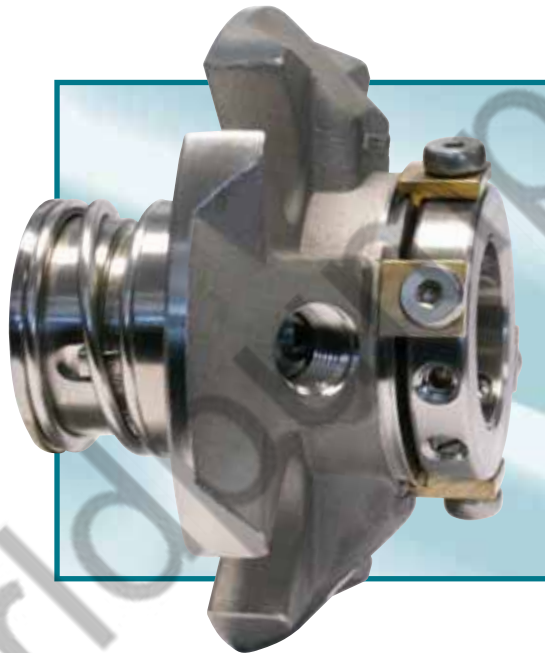




ENVIRONMENTAL TECHNOLOGY

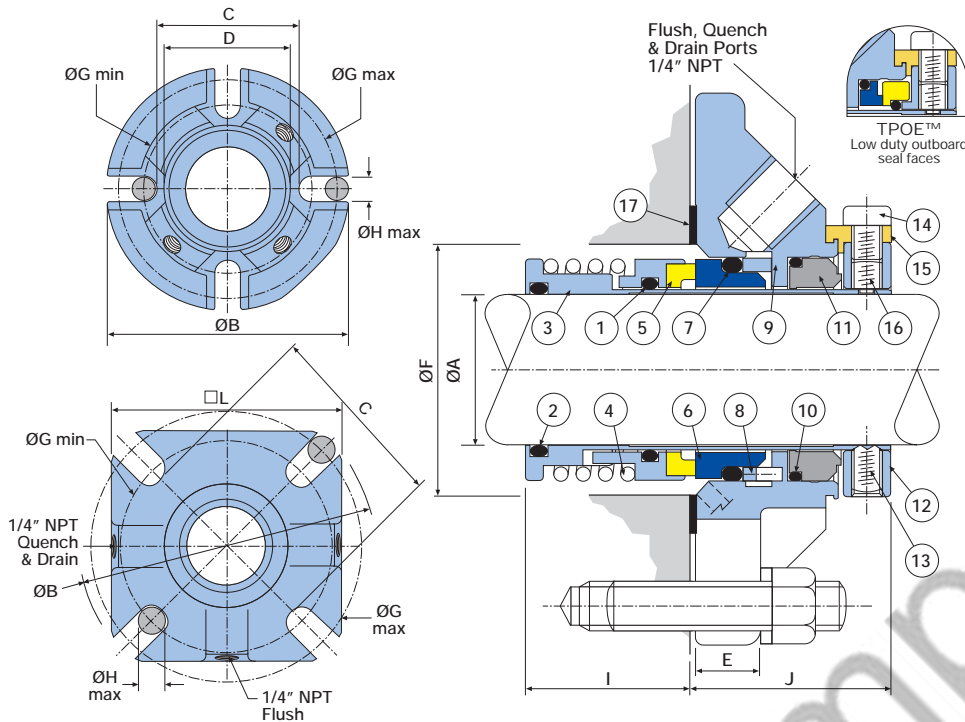
TPOC™ / TPOE™ Single Spring Cartridge Seal



- FULL CARTRIDGE SEAL
- SINGLE SPRING DESIGN
- OPTIONAL EXTERNAL LOW PRESSURE SEAL FACES
- AVAILABLE IN A WIDE RANGE OF SEAL FACE AND ELASTOMER COMBINATIONS

TPOC™ / TPOE™ - design features

The AESSEAL® TPOC™ and TPOE™ seal range is specifically designed for applications which benefit from the use of unbalanced seal face technology.



This makes the seal design ideally suited for some applications in the Pulp & Paper, Slurry and other high viscous sealing industries.

The seal design uses standard AESSEAL® modular technology, making the range both available and affordable.

Other design features include:

- Non-clogging single-coil spring
- Positive mechanical drive
- Available in a wide range of seal face combinations including Carbon, TC and SiC
- Available in a wide range of elastomer combinations including Viton®, Aflas®, EPR and Kalrez®
- Factory assembled and tested
- Unbalanced rotary seal face
- Supplied as standard with an outboard restriction bush
- Offered with a low duty, outboard, modular seal face option (TPOE™)
- Offered as standard with flush, quench and drain environmental ports

Please consult the AESSEAL® Technical Department for further information on this product.

Contact your nearest sales outlet to confirm product availability.

TPOC™ - Standard Gland Format Dimensional Information (inches)

A	B	C	D	E	F min	F max	G min	G max	H max	I	J
1.125	4.250	2.250	2.063	0.519	1.750	2.062	2.812	3.687	0.500	1.300	1.590
1.375	4.375	2.500	2.312	0.519	2.000	2.250	3.062	3.812	0.500	1.300	1.590
1.750	5.500	3.187	2.812	0.644	2.500	2.750	3.750	4.937	0.500	1.500	1.752
1.875	5.500	3.187	2.812	0.644	2.625	2.875	3.750	4.937	0.500	1.562	1.752
2.125	6.000	3.562	3.063	0.644	2.875	3.125	4.125	5.437	0.500	1.625	1.752
2.500	7.000	4.312	3.812	0.769	3.375	3.625	5.000	6.312	0.625	1.750	1.877
2.625	7.000	4.312	3.812	0.769	3.500	3.750	5.000	6.312	0.625	1.750	1.877
2.750	7.000	4.312	3.812	0.769	3.625	3.875	5.000	6.312	0.625	1.750	1.877

ANSI+ TPOC™ - ANSI+ (Big Bore) Gland Format Dimensional Information (inches)

A	B	C	E	F min	F max	G min	G max	H max	I	J	QL
1.125	5.000	3.188	1.000	2.625	2.850	3.750	4.250	0.500	1.300	1.565	3.990
1.375	5.375	3.438	1.000	2.875	3.100	4.000	4.625	0.500	1.300	1.565	4.240
1.750	6.750	4.438	0.644	3.500	4.100	5.000	6.000	0.500	1.500	1.690	5.480
1.875	6.750	4.438	0.644	3.625	4.100	5.000	6.000	0.500	1.562	1.690	5.480
2.125	7.625	4.688	0.644	3.875	4.225	5.375	6.687	0.625	1.625	1.690	6.230
2.500	8.250	5.438	0.644	4.500	5.100	6.125	7.312	0.625	1.750	1.890	6.730
2.625	8.250	5.438	0.644	4.625	5.100	6.125	7.312	0.625	1.750	1.890	6.730
2.750	8.250	5.438	0.644	4.625	5.100	6.125	7.312	0.625	1.750	1.890	6.730

Item	Description	Material
1	Rotary O Ring	Viton® / EPR / Kalrez® / Aflas®
2	Sleeve O Ring	Viton® / EPR / Kalrez® / Aflas®
3	Cartridge Sleeve	316L Stainless Steel
4	Spring (Single Coil)	Stainless Steel
5	Rotary Face	316L SS-Carbon / TC / SiC
6	Stationary Face	SiC / Ceramic / TC
7	Stationary O Ring	Viton® / EPR / Kalrez® / Aflas®
8	Spacer Ring	316L Stainless Steel
9	Gland	316 Stainless Steel
10	Restriction Bush O Ring	Viton® / EPR / Kalrez® / Aflas®
11	Restriction Bush	Carbon
12	Clamp Ring	316L Stainless Steel
13	Drive Screws	Stainless Steel
14	Clip Screws	Stainless Steel
15	Setting Clips	Brass
16	Anti-tamper Screws	Stainless Steel
17	Gasket	AF1 / PTFE

THIS DOCUMENT IS DESIGNED TO PROVIDE DIMENSIONAL INFORMATION AND AN INDICATION OF AVAILABILITY. FOR FURTHER INFORMATION AND SAFE OPERATING LIMITS CONTACT OUR TECHNICAL SPECIALISTS AT THE LOCATIONS BELOW.



USE DOUBLE MECHANICAL SEALS WITH HAZARDOUS PRODUCTS. ALWAYS TAKE SAFETY PRECAUTIONS:

- GUARD YOUR EQUIPMENT
- WEAR PROTECTIVE CLOTHING



UK Sales & Technical advice:

AESSEAL plc
Mill Close
Templeborough
Rotherham
S60 1BZ
United Kingdom

Telephone: +44 (0) 1709 369966
Fax: +44 (0) 1709 720788
E-mail: seals@aes seal.com
Internet: http://www.aes seal.com

Distributed by:

Our Purpose: *'To give our customers such exceptional service that they need never consider alternative sources of supply.'*

USA Sales & Technical advice:

AESSEAL Inc.
355 Dunavent Drive
Rockford, TN. 37853
USA

Telephone: +1 865 531 0192
Fax: +1 865 531 0571
E-mail: usa@aes seal.com

ALL SIZES ARE SUBJECT TO MANUFACTURING TOLERANCES. WE RESERVE THE RIGHT TO MODIFY SPECIFICATIONS AT ANY TIME.