

SEALTECTA™

Thermal Relief Valve



Features

- Thermal relief valve
- Discharges water at set temperature
- Self actuating
- Fits directly to seal drain connection

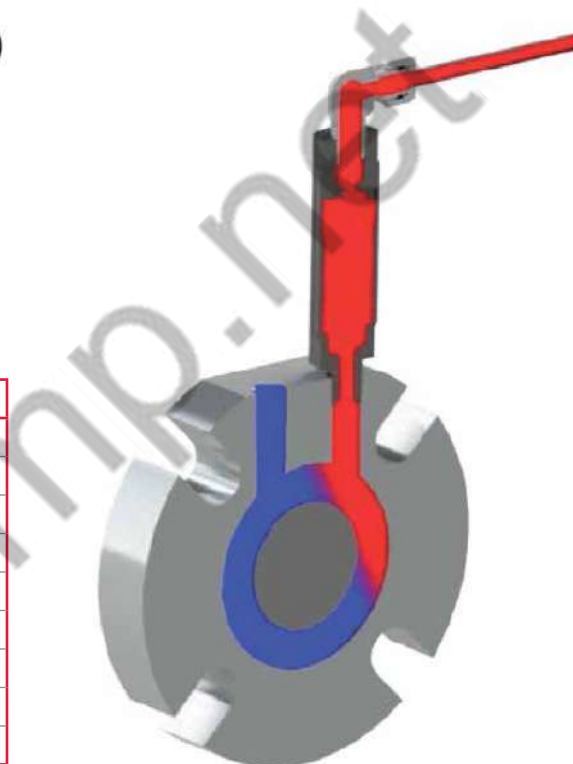
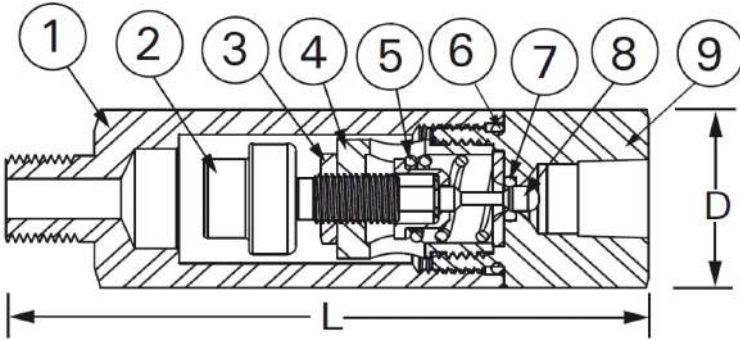
Benefits

- Keeps mechanical seal cool
- Saves water and drainage costs
- Simple operation
- Easy installation
- Maintenance free

SEALTECTA

The SEALTECTA™ is designed to minimize the use of water in quench to drain applications. Instead of continuously discharging water to drain the SEALTECTA™ valve only activates and discharges water when it reaches the predetermined / pre-set temperature. The cool water supply replenishes the warm discharged water with cool water and the valve closes until the set temperature is reached again. The SEALTECTA™ is highly reliable and will continue to cycle saving a significant volume of water and associated water treatment costs.

This low cost solution is fitted directly to the mechanical seal drain and is easy to install, simple to operate and is virtually maintenance free.



ITEM	DESCRIPTION	MATERIAL
1	Valve Body	300 series Stainless Steel
2	Thermal Actuator	300 series Stainless Steel
3	Locknut	300 series Stainless Steel
4	Retainer	300 series Stainless Steel
5	Operating Spring	300 series Stainless Steel
6	Sealing O-Ring	Buna-N
7	Seat Seal	Buna-N
8	Ram-Type Plug	300 series Stainless Steel
9	Seat Housing	300 series Stainless Steel

CONNECTION	D	L	Weight	C _v	Maximum Operating Pressure	Maximum Temperature
1/4" NPT	28 (1.1")	91mm (3.6")	0.3Kg (0.7Lb)	0.5	27.6 BAR (400 PSIG)	121°C (250°F)

This brochure is fully recyclable. When laminated, a sustainable, biodegradable and recyclable lamination is used.

For further information and safe operating limits contact our technical specialists at the locations below.



AESSEAL plc is certified to ISO 9001, ISO 14001, ISO/IEC 20000, ISO/IEC 27001, ISO/TS 29001, ISO 37001, ISO 45001 & ISO 50001

Use double mechanical seals with hazardous products.

Always take safety precautions:

WARNING

- Guard your equipment
- Wear protective clothing

UK Sales & Technical advice:

AESSEAL plc
Mill Close
Bradmarsh Business Park
Rotherham, S60 1BZ, UK
Tel: +44 (0) 1709 369966
Fax: +44 (0) 1709 720788
E-mail: enquiries@aes seal.info
www.aes seal.com

'Our purpose is to give our customers such exceptional service that they need never consider alternative sources of supply.'

INVESTOR IN PEOPLE

USA Sales & Technical advice:

AESSEAL Inc.
355 Dunavant Drive
Rockford,
TN. 37853, USA
Tel: +1 865 531 0192
Fax: +1 865 531 0571
E-mail: usa@aes seal.com
www.aes seal.com