

# FI-DSNM-R™

Non-Metallic Cartridge Seal to Suit Richter Pumps



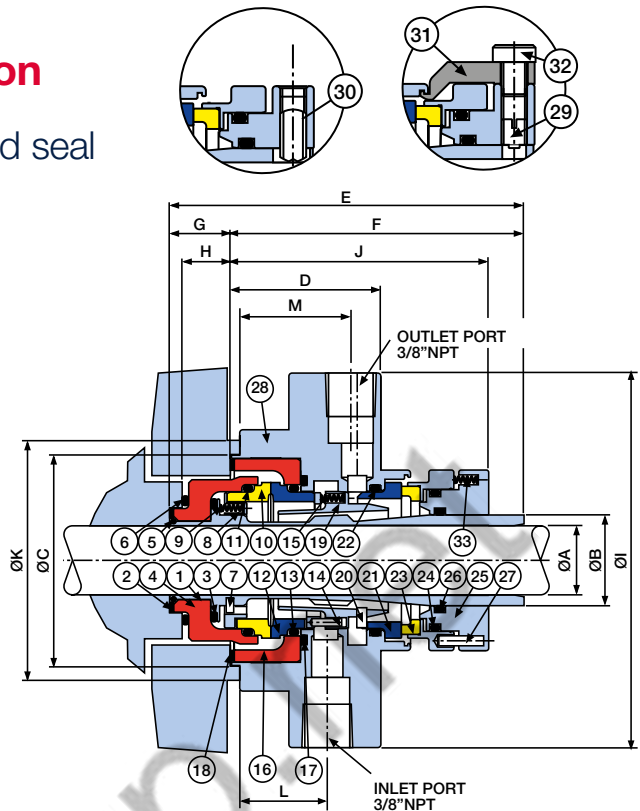
- Suits PCK & SCK Richter pump types
- Non-metallic wetted parts
- Easy to install
- Patent pending pumping scroll
- True cartridge design
- Eliminates oem ceramic sleeve

# FI-DSNM-R™ - technical information

The AESSEAL® FI-DSNM-R™ is a patented seal design offered to suit Richter PCK and SCK process pumps.

The FI-DSNM-R™ seal fits directly on to the bare shaft of the pump, eliminating the OEM ceramic shaft sleeve. The seal is offered with non-metallic wetted components and installs as a **true cartridge** seal, with an integral axial compensating device designed to cater for any impeller to housing dimensional deviations.

The integral barrier fluid pumping ring is complimented by large 3/8" NPT ports and a deflector which guides the barrier fluid to the inboard and outboard seal faces. This helps to efficiently remove heat at the seal faces.



Item	Description	Material	Item	Description	Material
1	Sleeve	316L SS	18	Gasket	GFT
2	Sleeve Gasket	GFT	19	Deflector	316L SS
3	Sleeve O Ring	FKM / EPR / FFKM / TFE/P	20	Drive Pins (Part of Deflector)	Stainless Steel
4	Sleeve End Cap	SiC	21	External Stationary Face	SiC / TC / 316L SS-Ch.Ox. / Ceramic
5	End Cap Retaining Ring	Stainless Steel	22	External Stationary O Ring	FKM / EPR / FFKM / TFE/P
6	End Cap O Ring	FKM / EPR / FFKM / TFE/P	23	External Rotary Face	316L SS - Carbon / TC / SiC
7	End Cap Drive Pins (Part of Sleeve)	Stainless Steel	24	External Rotary O Ring	FKM / EPR / FFKM / TFE/P
8	Spring Plate	316L SS	25	Clamp Ring	316L SS
9	Springs	Hastelloy® C	26	Clamp O Ring	FKM / EPR / FFKM / TFE/P
10	Inboard Rotary Face	SiC	27	Drive Pins (Part of Clamp Ring)	Stainless Steel
11	Inboard Rotary O Ring	FKM / EPR / FFKM / TFE/P	28	Gland	316 SS
12	Inboard Stationary Face	SiC / Carbon	29	Anti-Tamper Screws	Stainless Steel
13	Inboard Stationary O Ring	FKM / EPR / FFKM / TFE/P	30	Drive Screws	Stainless Steel
14	Spring Plate	316L SS	31	Setting Clips	Metal
15	Springs	Hastelloy® C	32	Clip Screws	Stainless Steel
16	Gland Insert	SiC	33	Springs	Hastelloy® C
17	Gland Insert O Ring	FKM / EPR / FFKM / TFE/P			

Ø of OEM Sleeve	Ø A	Ø B	Ø C	D	E	F	G	H	Bolt Circle Ø	Ø I	Max Bolt Ø	J	Ø K	L	M
33.0mm	22.00	28.91	67.50	48.01	113.00	93.65	19.35	15.35	102.00	108.97	M8	82.38	76.50	27.91	35.43
43.0mm	32.00	41.27	84.00	56.43	113.00	93.65	19.35	15.35	120.00	130.00	M10	83.39	95.00	42.16*	45.63*

Dimensions in mm

\*Distance to centreline of angled port at 45° from horizontal plane.

This brochure is fully recyclable. When laminated, a sustainable, biodegradable and recyclable lamination is used.

For further information and safe operating limits contact our technical specialists at the locations below.



AESSEAL plc is certified to ISO 9001, ISO 14001, ISO/IEC 20000, ISO/IEC 27001, ISO/TS 29001, ISO 37001, ISO 45001 & ISO 50001

**UK Sales & Technical advice:**

AESSEAL plc  
Mill Close  
Bradmarsh Business Park  
Rotherham,  
S60 1BZ, UK  
Tel: +44 (0) 1709 369966  
E-mail: [enquiries@aes seal.info](mailto:enquiries@aes seal.info)  
[www.aes seal.com](http://www.aes seal.com)



AESSEAL plc is Net Zero for Manufacturing in the UK



Use double mechanical seals with hazardous products.

Always take safety precautions: **WARNING**

- Guard your equipment
- Wear protective clothing

**USA Sales & Technical advice:**

AESSEAL Inc.  
355 Dunavant Drive  
Rockford,  
TN. 37853,  
USA  
Tel: +1 865 531 0192  
E-mail: [usa@aes seal.com](mailto:usa@aes seal.com)  
[www.aes seal.com](http://www.aes seal.com)

**Important:** Since the conditions and methods of use of this product are beyond our control, AESSEAL plc expressly disclaims any and all liability resulting or arising from any use of this product or reliance on any information contained in this document - AESSEAL plc standard conditions of sale apply. All sizes are subject to manufacturing tolerances. We reserve the right to modify specifications at any time. AESSEAL® is a Registered Trademark of AES Engineering Ltd, AESSEAL plc recognizes all trademarks and trademark names as the property of their owners.