

EasyClean™

Pressure Systems Designed for the Pharmaceutical,
Food & Beverage Sectors



Features

- Customer effective solution
- Fully accessible
- 304 Stainless Steel construction

Benefits

- Simple patented design solving critical issues in applications requiring higher standards of cleanliness
- Quick release clamp allows vessel to be opened for cleaning and inspection
- Ideal in Pharmaceutical and Food & Beverage industries

EasyClean™ Pressure Systems

Are you in an industry where it is important to ensure that all machinery is maintained to a high standard of cleanliness?

Potential issues with existing mechanical seal support systems using sealed vessels (e.g. Plans 52, 53a):

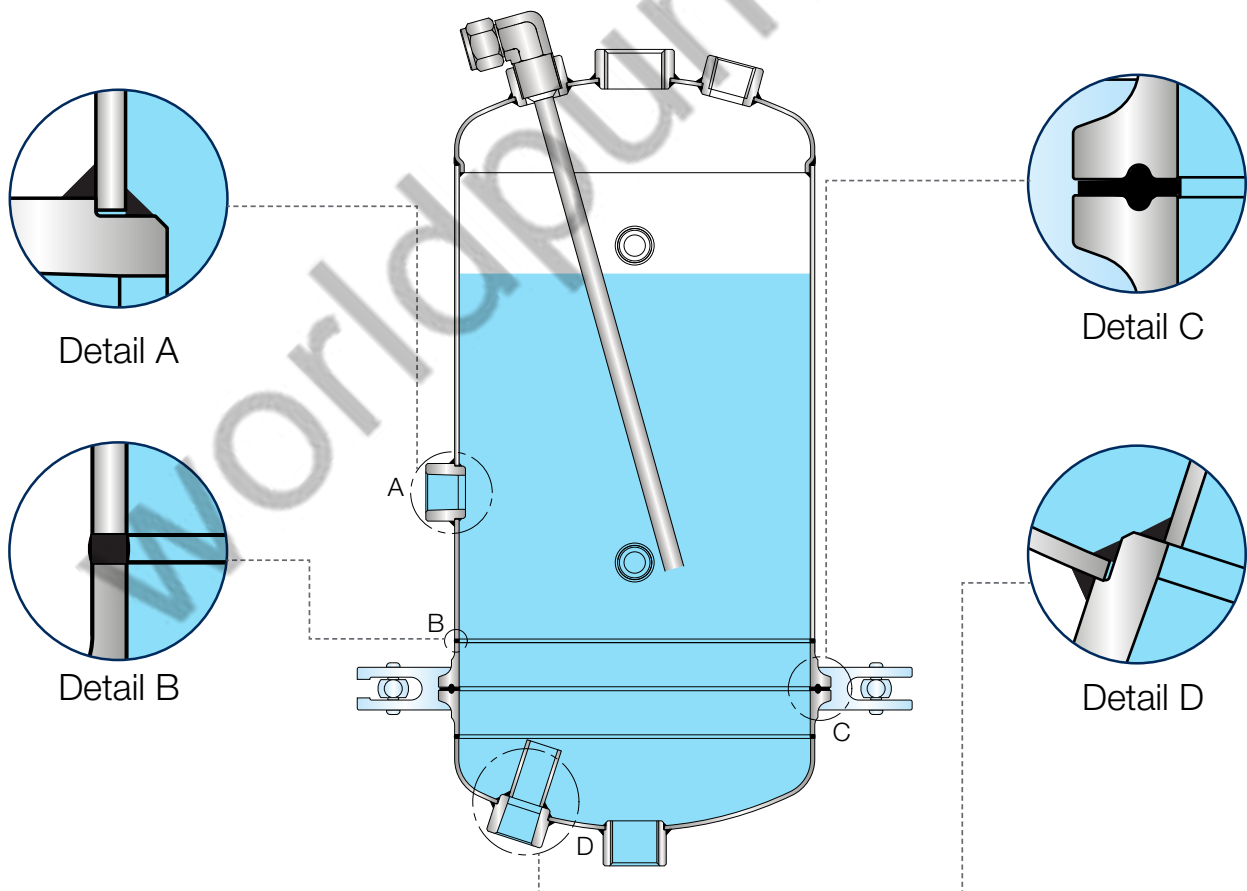
- Have the potential to harbour and breed bacteria
- Difficult to clean as a result of restricted access
- Difficult to inspect

Eliminate these issues with a cost effective solution!

EasyClean™ includes all the features of the standard vessels plus has the added benefit of being supplied with a quick release clamp, allowing the bottom section of the vessel to be removed for cleaning and inspection. These additional features make it ideal for applications that require more control and a higher level of cleanliness.

EasyClean™ can be used as part of an API Plan 52 and 53a seal support systems.

EasyClean™



- Easy to access inside
- Easy to inspect and clean
- Potential “Bug” traps minimized with internal filler welds (A,B,C,D)



Specification:

Construction: 304 Stainless Steel

Gasket : AES Elast®

Design Pressure: 10 BarG (145 PSI)

Capacity: 10 litres (2.64 US gallons) 12 litres (3.17 US Gallons)

Maximum Design Temperature: 100°C (212 °F)

Working Temperature: 60°C (140°F)

Minimum Design Temperature: -20°C (-4°F)

Connections: ½" NPT for seal feed & return hoses

Finish: Satin Bead Blasted

Designed to: ASME VIII Div. 1

Certified to: Pressure Equipment Directive (PED)

Additional options:

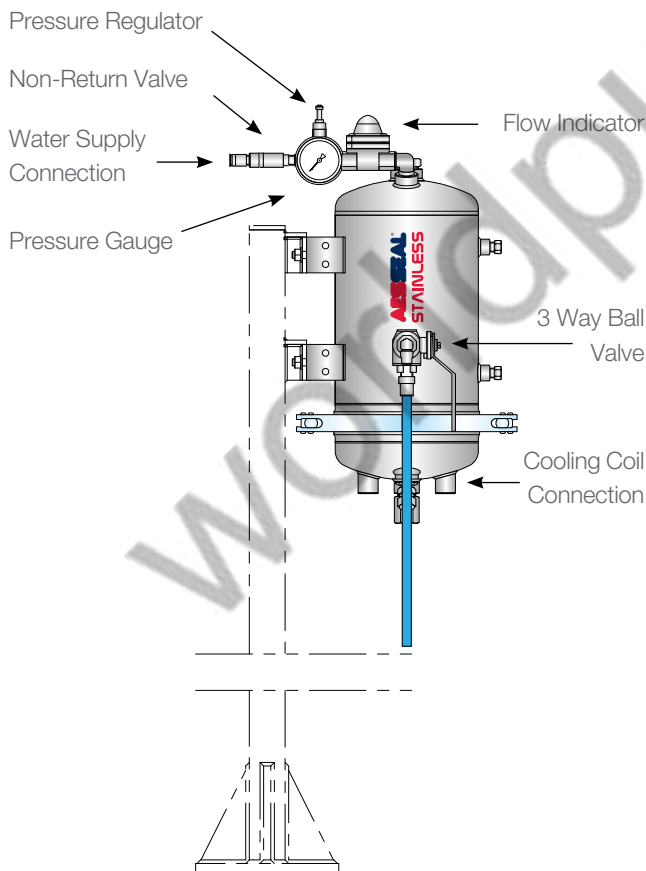
EasyClean™ CC – includes cooling coil

EasyClean™ WP – includes weld pad fluid level monitoring window

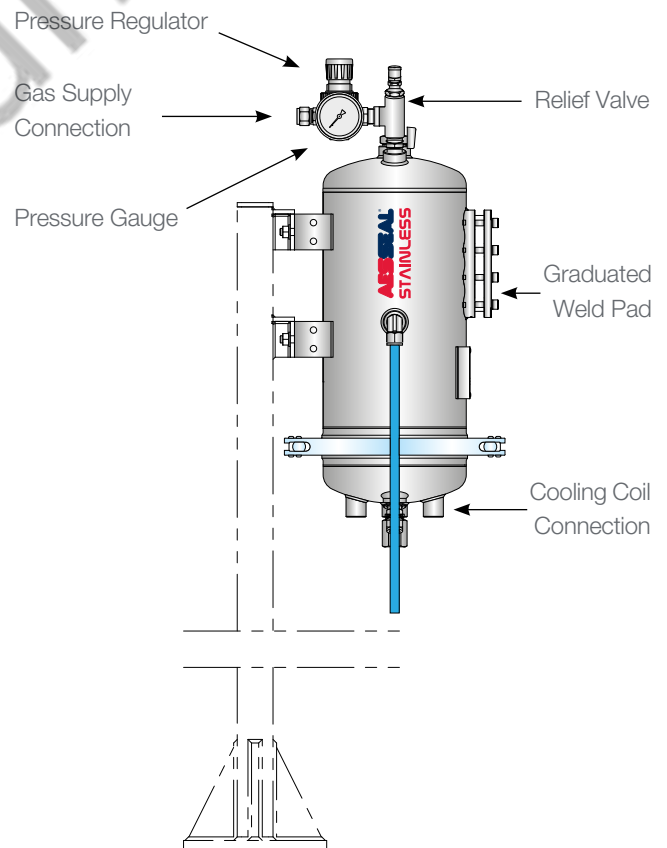
EasyClean™ WPCC – includes both cooling coil and weld pad fluid level monitoring window

Clean In Place (CIP) Ball

Water Management Systems (SW)



Oil Management Systems (SP)



Barrier & Buffer Fluid Systems For Use With Double Mechanical Seals

AESSEAL® supplies an extensive range of barrier and buffer fluid systems for use with double mechanical seals. Wherever possible AESSEAL® prefers to supply both the seal and the system. In addition the company will suggest suitable barrier or buffer fluids for most applications, based on extensive field experience. AESSEAL® accepts no responsibility for any problems associated with system design, installation, operation, or the use of an unsuitable barrier or buffer fluid, where the fluid, seal or any part of the system have not been specified and / or supplied by AESSEAL®.

The EasyClean™ vessels are available with a range of options making them suitable for a wide range of applications.

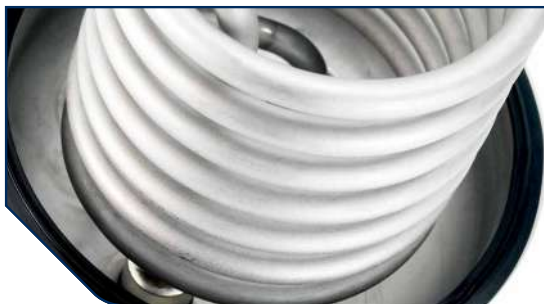
The options include:

- EasyClean™ – suitable for use with water or oil
- EasyClean™ CC – includes a cooling coil to help control the temperature of the barrier fluid
- EasyClean™ WP – includes weld pad to allow fluid level monitoring
- EasyClean™ WPCC – includes both weld pad fluid level indicator and cooling coil

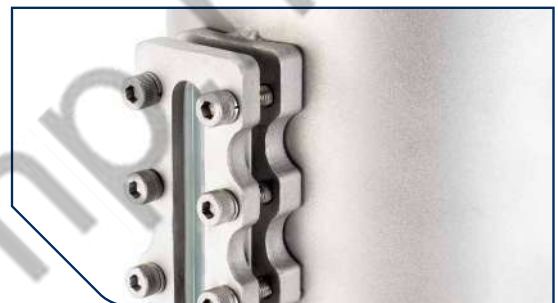
Additional features:

- A Clean In Place (CIP) Ball
- Stainless Steel fittings

EasyClean™ is manufactured from 304 stainless steel with satin bead blasted finish as standard is designed and manufactured in accordance with ASME VIII Div.1 and certified to the Pressure Equipment Directive (PED).



Cooling Coil



Graduated Weld Pad



TUV Certified Clamp



Sealing Gasket

This brochure is fully recyclable. When laminated, a sustainable, biodegradable and recyclable lamination is used.

For further information and safe operating limits contact our technical specialists at the locations below.



AESSEAL plc is certified to ISO 9001, ISO 14001, ISO/IEC 20000, ISO/IEC 27001, ISO/TS 29001, ISO 37001, ISO 45001 & ISO 50001

UK Sales & Technical advice:

AESSEAL plc
 Mill Close
 Bradmarsh Business Park
 Rotherham, S60 1BZ, UK
 Tel: +44 (0) 1709 369966
 Fax: +44 (0) 1709 720788
 E-mail: enquiries@aes seal.info
www.aes seal.com



THE QUEEN'S AWARDS
 FOR ENTERPRISE
 INNOVATION
 2021



'Our purpose is to give our customers such exceptional service that they need never consider alternative sources of supply.'



INVESTOR
 IN PEOPLE

Use double mechanical seals with hazardous products.

Always take safety precautions:

- Guard your equipment
- Wear protective clothing



WARNING

USA Sales & Technical advice:

AESSEAL Inc.
 355 Dunavant Drive
 Rockford,
 TN. 37853, USA
 Tel: +1 865 531 0192
 Fax: +1 865 531 0571
 E-mail: usa@aes seal.com
www.aes seal.com

Important: Since the conditions and methods of use of this product are beyond our control, AESSEAL plc expressly disclaims any and all liability resulting or arising from any use of this product or reliance on any information contained in this document - AESSEAL plc standard conditions of sale apply. All sizes are subject to manufacturing tolerances. We reserve the right to modify specifications at any time. AESSEAL® is a Registered Trademark of AES Engineering Ltd, AESSEAL plc recognizes all trademarks and trademark names as the property of their owners.