

CFC™/HPVS™ and CFFC™/HPVD™



High Performance Mechanical Seals

For use on difficult applications including oil pipeline pumping, water injection and boiler feed duties.



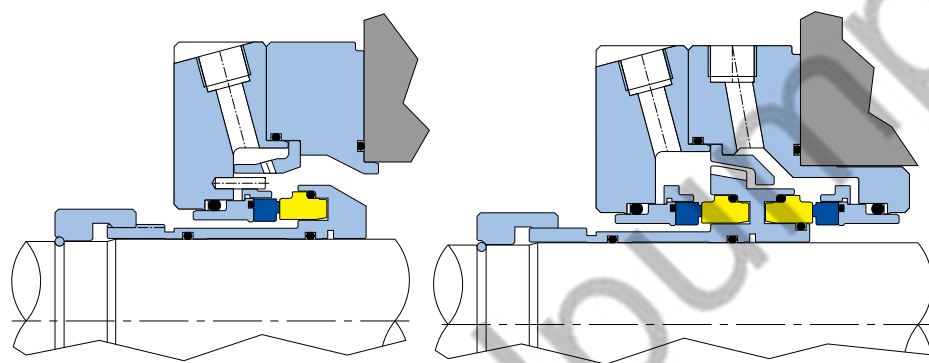
EXPERIENCE THE EXCEPTIONAL



CFC™/HPVS™ and CFFC™/HPVD™

These robust seals are designed for use on difficult applications including oil pipeline pumping, water injection and boiler feed duties.

Finite Element Analysis and hydrodynamic algorithms are used to optimize the monolithic seal face design in order to maintain a stable fluid film. The seals are engineered for maximum service life and have been laboratory tested to extremes beyond their standard capability.



CFC™ - HPVS™

CFFC™ - HPVD™

TYPICAL DUTIES

- Pressures up to 60barg (870psig) – CFC™ & CFFC™
- Pressures up to 90barg (1305psig) – HPVS™ & HPVD™
- Peripheral speeds up to 60m/s (12000ft/min)
- Temperatures -40°C to +260°C (-40°F to 500°F) ***

*** At the seal the temperature would be optimized by appropriate API plan

General Specification

Size range

50mm – 150mm (2.000" – 6.000")

Face options (CFC – HPVS)

Soft / Hard
Antimony Carbon / Silicon Carbide

Face options (CFFC – HPVD)

Soft / Hard / Hard / Soft
Antimony Carbon / Silicon Carbide
Silicon Carbide / Antimony Carbon

Elastomer options

Viton® – EPR - Nitrile – Aflas® – Kalrez®

Metallurgy options

316L SS (standard) DIN 1.4462 (Duplex),
Alloy 255 (Super Duplex), Alloy 276 etc.

KEY FEATURES / BENEFITS

- High speeds – Stationary multi spring design for even face loading
- High pressures – Robust seal faces minimize the effects of pressure distortion
- Monolithic seal faces – maintains flatness under temperature fluctuations
- Axial displacement allowance – combats machine build tolerances and thermal expansion
- Seal face design optimized using FEA and hydrodynamic algorithms
- Seal face loading factory set and statically tested prior to despatch
- Sculptured lug drive – for improved torque transmission
- Compact & robust design – allows seal to be fitted on close bearing centre pumps



WARNING

Use double mechanical seals with hazardous products. Always take safety precautions:

- Guard your equipment
- Wear protective clothing

CFC™, HPVS™, CFFC™ and HPVD™ are Trademarks of AESSEAL plc, Registered Trademarks: AESSEAL® - AESSEAL plc, Viton®, Kalrez® - DuPont Dow Elastomers, Aflas® - Asahi Glass Co. All other brand and product names are trademarks or registered trademarks of their respective holder.



Contact

+44 (0)1709 369966

info@aes seal.com

www.aes seal.com